

## HYDRA™

### Mount and Cable Accessories

#### FEATURES

- Designed specifically for Hydra
- Mounts are colour matched in grey-white or black
- 4" PCB mounting
- 25mm threaded conduit entry with through bracket cable route
- Stainless steel fixings included
- Securing point for lanyards
- Umbilical cables with moulded plug at one end



The Hydra 1000 and Hydra 3000 series of ruggedized camera platforms include a range of mounting accessories and umbilical cables to facilitate their safe and reliable installation. The range consists of five mounts to enable installations on walls, soffits, columns and poles. They are manufactured from mild steel and supplied with stainless steel fixings and are equipped with a 25mm threaded conduit entry point. All mounts are finished in grey-white or black to match the standard Hydra colour options.

Four lengths of umbilical cable are available for the Hydra 1000, from 2.5m to 10m. Each has an over-moulded IP 68 rated connector on one end and bare unterminated wires at the other. One length of 10m cable is supplied with the Hydra 3000 to connect power & alarms, which has an over-moulded IP 67 rated connector on one end and bare unterminated wires at the other.

#### Mounts (Hydra 1000 Series and Hydra 3000 Series)

| Weights & Dimensions           | Wall Mount         | Column Mount | Swan Nech Mount | Corner Mount | Pole Mount |
|--------------------------------|--------------------|--------------|-----------------|--------------|------------|
| Part No.s                      | OVU10005           | OVU10006     | OVU10007        | OVU10008     | OVU10009   |
| Dimensions                     | See drawings below |              |                 |              |            |
| Weight - Kg                    | 1.5                | 1.2          | 2.6             | 1.6          | 1.2        |
| Shipping dimensions LxWxD - cm | 25x40x15           | 15x20x15     | 116x75x45       | 20x30x20     | 20x20x20   |
| Shipping Weight - Kg           | 2.0                | 1.5          | 3.2             | 2.0          | 1.6        |

#### Hydra 1000 Umbilical Cables

| Available Lengths - m          | 2.5  | 5.0      | 7.5      | 10       |
|--------------------------------|--|----------|----------|----------|
| Part No.s                      | OVU00259   | OVU00260 | OVU00261 | OVU00262 |
| Construction                   | Over moulded plug one end, unterminated wires at the other end |          |          |          |
| Connector IP Rating            | IP68   |          |          |          |
| Weight - Kg                    | 0.25   | 0.6      | 0.85     | 1.1      |
| Shipping dimensions LxWxD - cm | 10x25x25   | 10x25x25 | 10x25x25 | 10x25x25 |
| Shipping weight - Kg           | 0.35   | 0.7      | 0.95     | 1.2      |

#### Hydra 3000 Replacement Cable/Parts

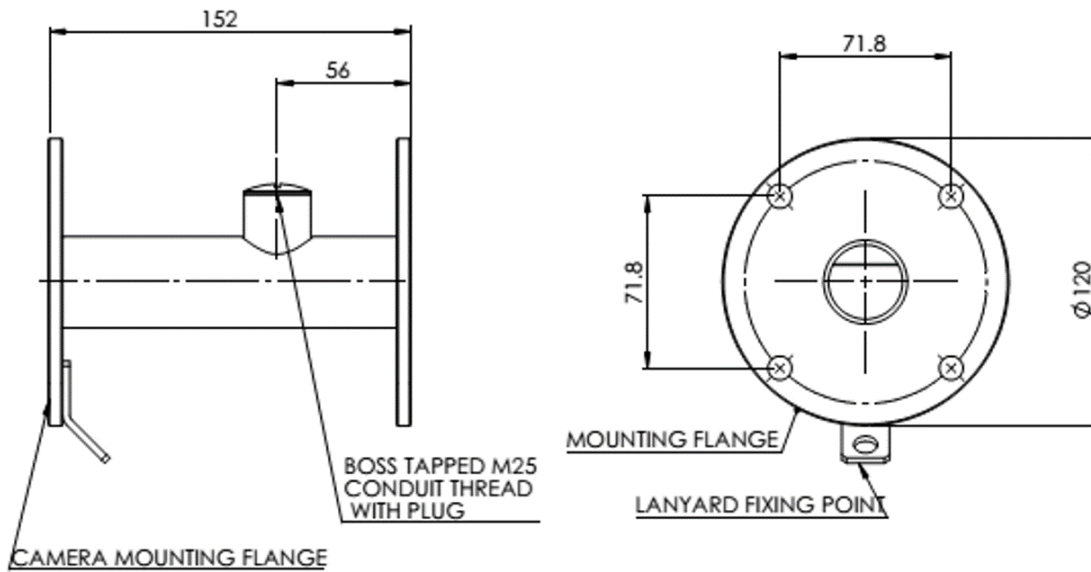
| Replacement | Power Cable 10m | IP 67 RJ-45 Plug Housing |
|-------------|-----------------|--------------------------|
| Part No.s   | OVU20025        | OVU20026                 |

Note: Specifications subject to change without notice.

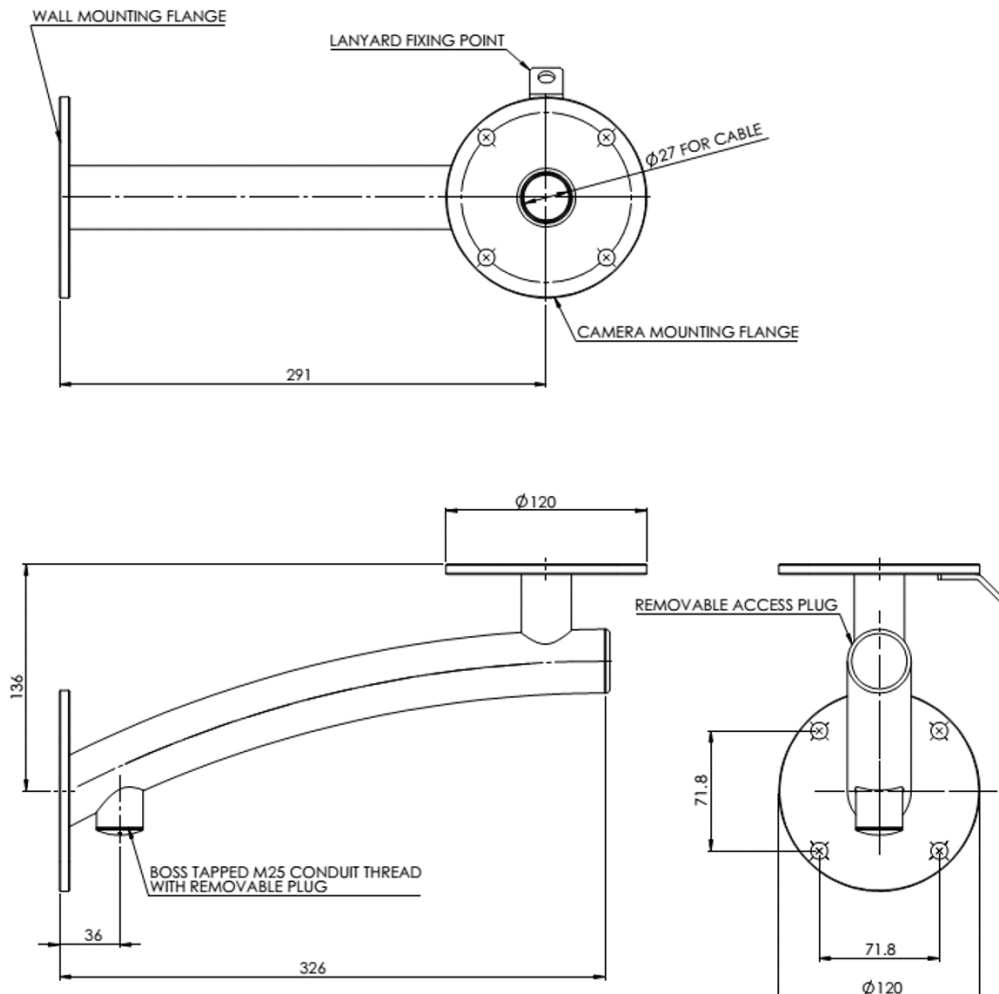
Overview Limited T: +44 (0) 20 8875 0984 E: info@overview.co.uk www.overview.co.uk



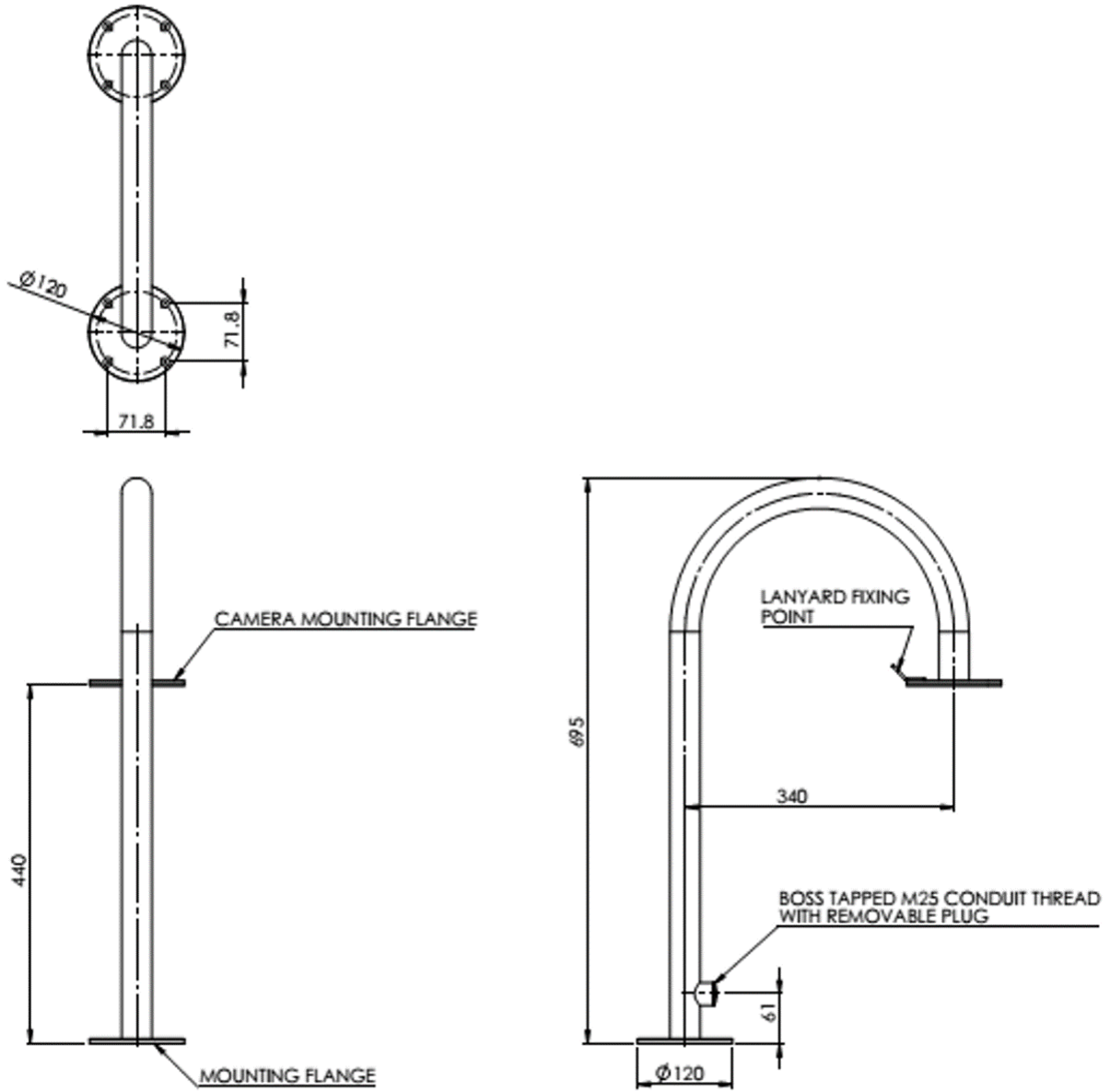
## Column Mount



## Wall Mount



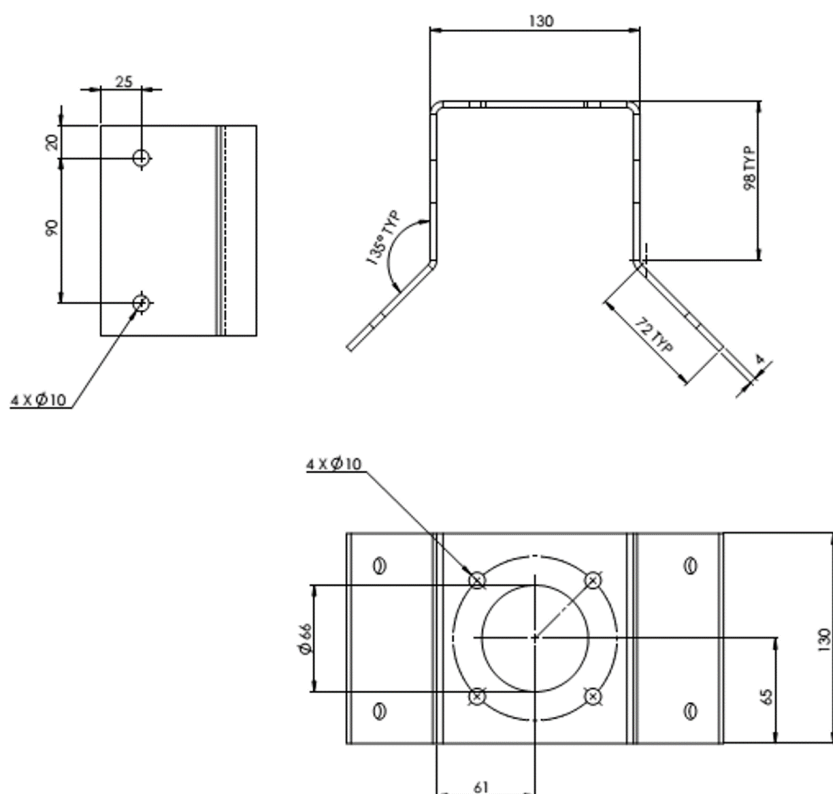
## Swan Neck Mount



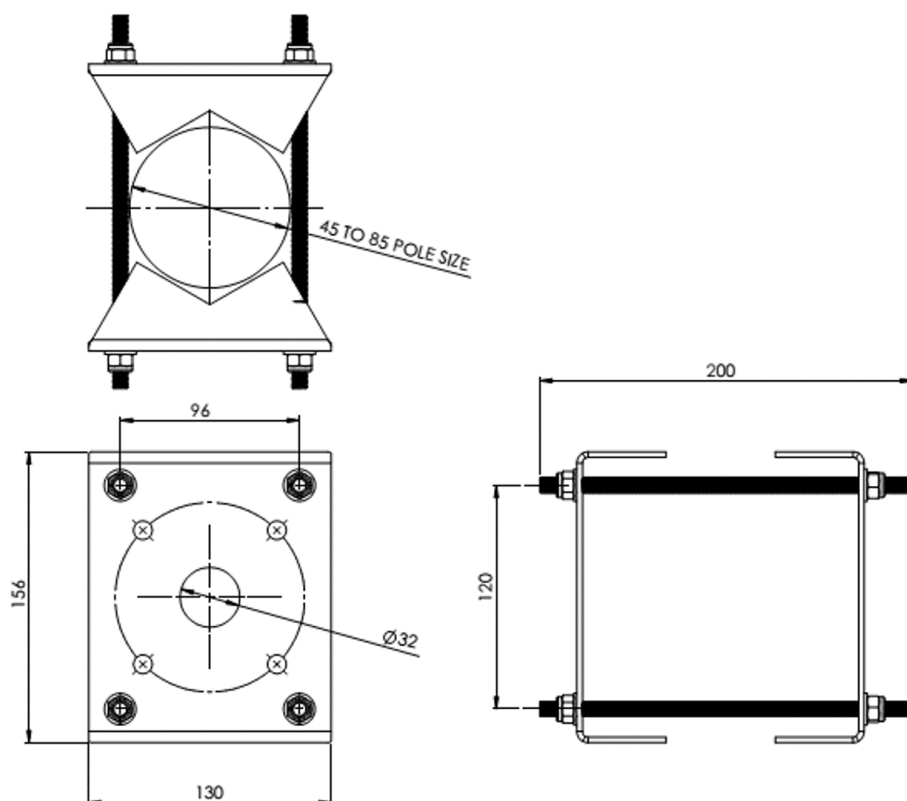
Note: Specifications subject to change without notice.

Overview Limited T: +44 (0) 20 8875 0984 E: info@overview.co.uk www.overview.co.uk

## Corner Mount



## Pole Mount



Note: Specifications subject to change without notice.

Overview Limited T: +44 (0) 20 8875 0984 E: info@overview.co.uk www.overview.co.uk