

Overview Product Datasheet DS108

Mounting Accessories and Cables

A range of Hydra colour matched mounting accessories and umbilical cable options.



Key features

- Designed specifically for Hydra Uno and Duo
- Mounts are colour matched in white or black
- 4" PCD mounting
- 25mm threaded conduit entry with through bracket cable route
- Stainless steel fixings included
- Securing point for lanyard
- Umbilical cable with over moulded plug at one end – IP68 rated
- Five cable lengths available as standard
- Nonstandard lengths available to order

Description

The Hydra product line includes a range of mounting accessories and umbilical cables to facilitate the safe and reliable installation of Hydra Uno and Hydra Duo, rugged PTZ camera platforms. The range consists of five mounts to enable installations on walls, soffits, columns and poles. They are manufactured from mild steel and supplied with stainless steel fixings and are equipped with a 25mm threaded conduit entry point. Finished in white or black to match the standard Hydra colour options the umbilical cable is routed through the mount for added security.

Five standard lengths of Umbilical cable are available from 2.5m to 30m. Each has an over moulded IP 68 rated connector on one end and bare unterminated wires at the other.

Technical Summary

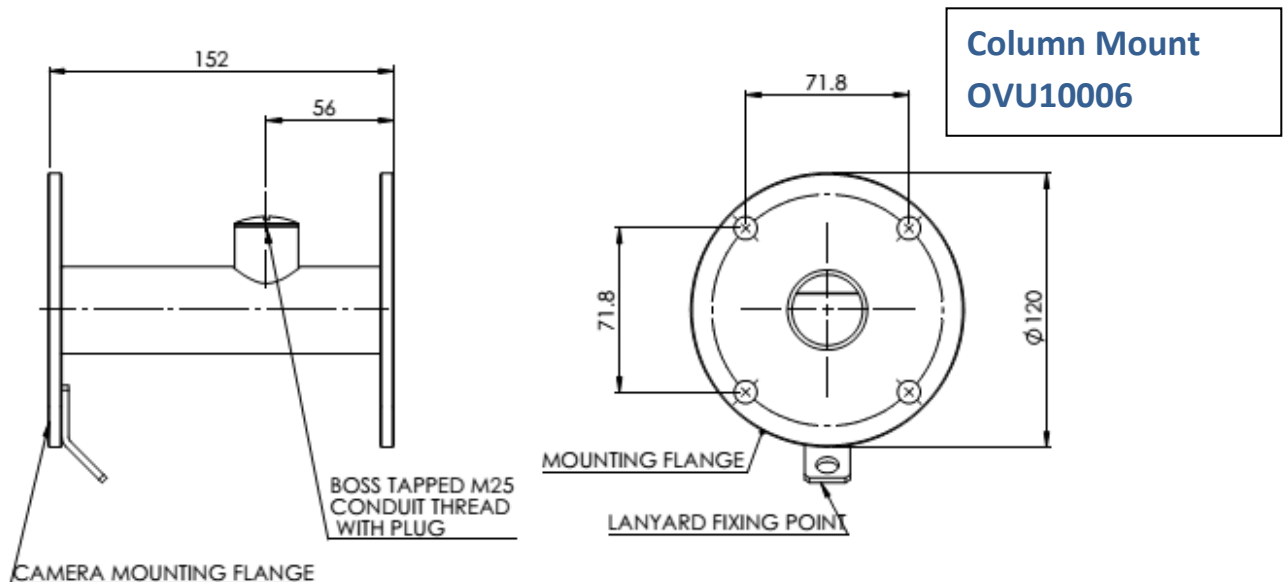
Weights and Dimensions – table 1

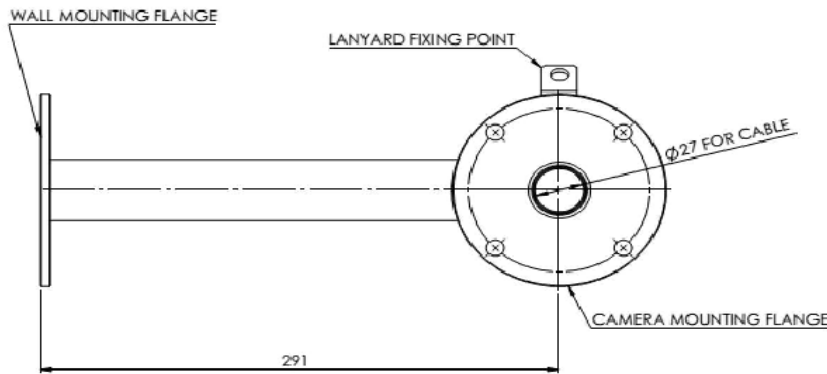
	Wall mount	Swan neck mount	Column spacer	Corner mount	Pole mount
Dimensions	See drawings below				
Weight - Kg	1.5	2.6	1.2	1.6	1.2
Shipping dimensions HxWxD - cm	25x40x15	116x75x45	15x20x15	20x30x20	20x20x20
Shipping weight - Kg	2.0	3.2	1.5	2.0	1.6

Umbilical Cables

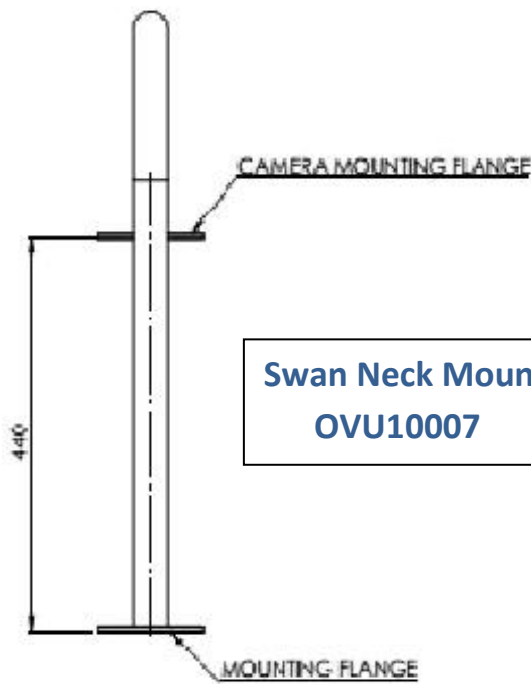
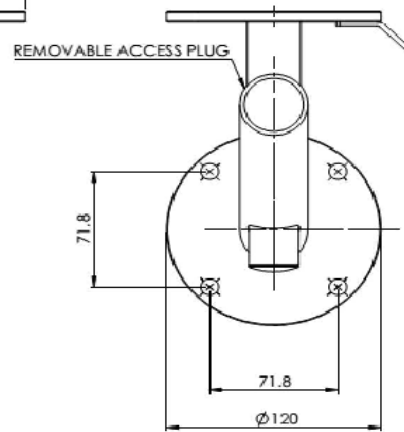
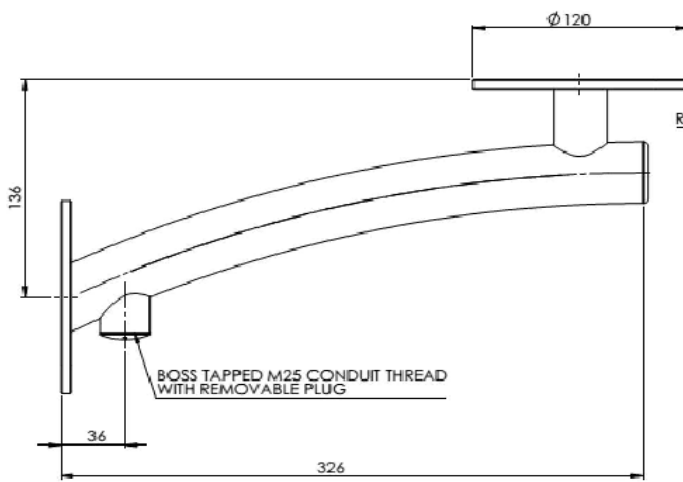
Construction	Over moulded plug one end, unterminated wires at the other				
Connector IP Rating	IP68				
Available lengths - metres	2.5	5.0	7.5	10	30
Weight Kg	0.25	0.6	0.85	1.1	5.6
Shipping dimensions H x W x D - cm	10x25x25	10x25x25	10x25x25	10x25x25	15x40x40
Shipping weight -Kg	0.35	0.7	0.95	1.2	5.8
Certification					

Note: Data sheet may change without notice.

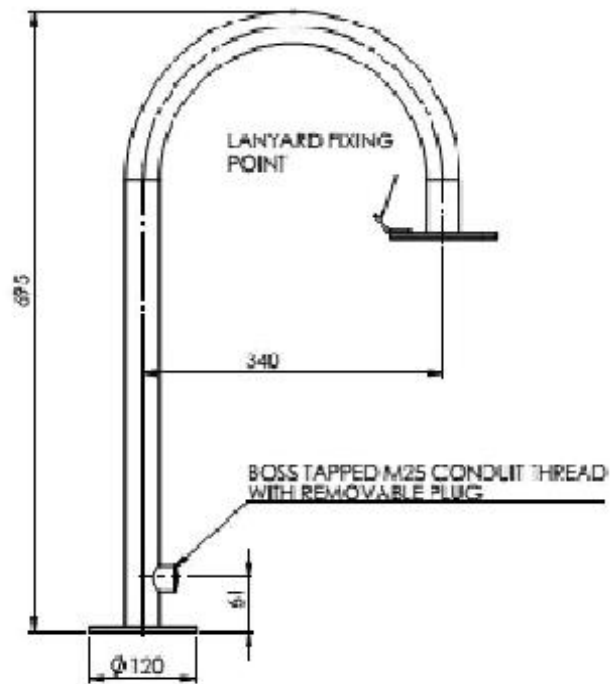


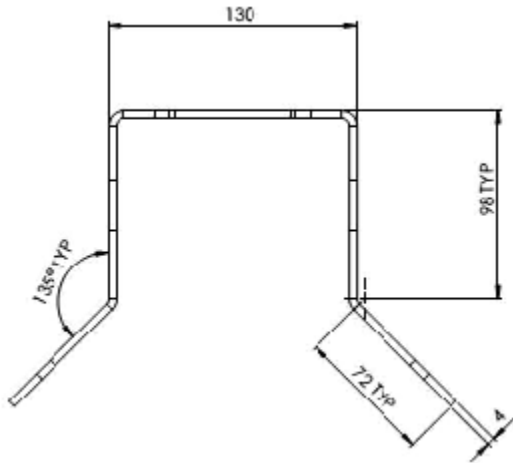


**Wall Mount
OVU10005**

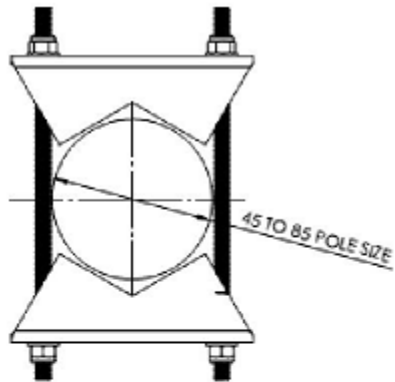
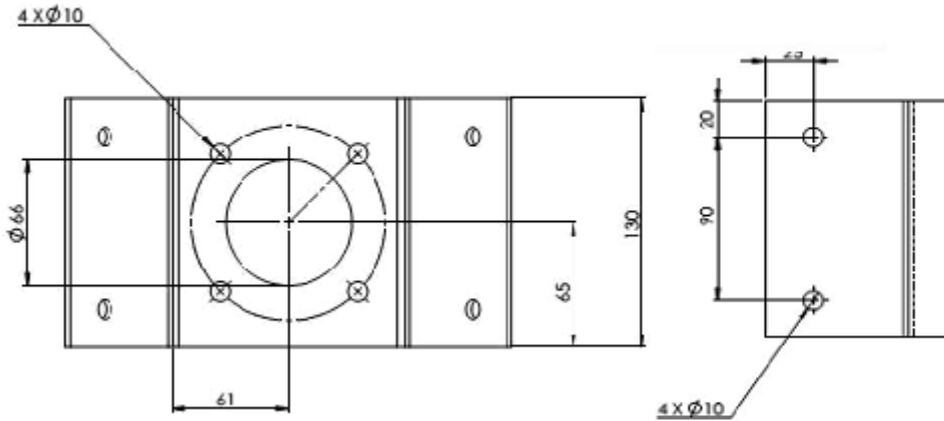


**Swan Neck Mount
OVU10007**

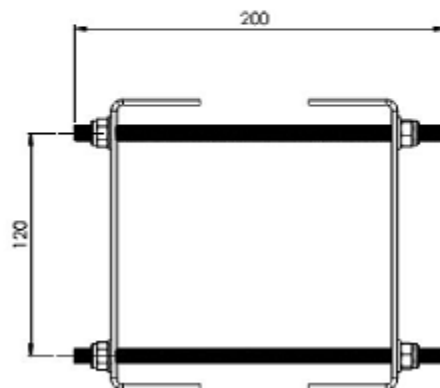
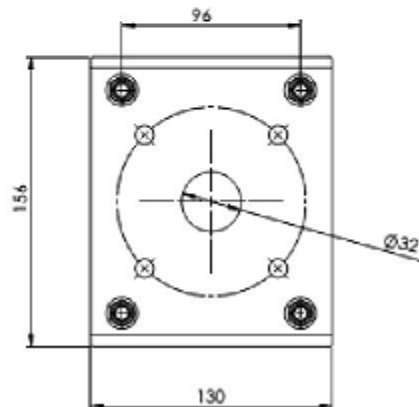




**Corner Mount Adaptor
OVU10008**



**Pole Mount Adaptor
OVU10009**



Note: Data sheet may change without notice